

RACE	
TRACK NAME	
CITY / COUNTRY	
DATE	

TEMPERATURE	AIR	TRACK
-------------	-----	-------

QUALIFYING POSITION	BEST LAP TIME	FINAL POSITION	RACE LENGTH
	SEC		MIN

TRACK CONDITION	<input type="checkbox"/> CARPET	<input type="checkbox"/> ASPHALT
	<input type="checkbox"/> TECHNICAL	<input type="checkbox"/> FAST

TRACTION	<input type="checkbox"/> LOW	<input type="checkbox"/> MEDIUM	<input type="checkbox"/> HIGH
----------	------------------------------	---------------------------------	-------------------------------

TRANSMISSION

BELT	GEAR DIFF OIL
<input type="checkbox"/> STD <input type="checkbox"/> SOFT	CST g

PINION	T	SPUR GEAR	T
--------	---	-----------	---

FINAL DRIVE RATIO	
-------------------	--

SUSPENSION

FRONT		REAR	
W CST	OIL	W CST	
OPEN	CAP HOLE	OPEN	
	SPRING		
mm	HOLES / DIAMETER	mm	mm
%	REBOUND	%	%

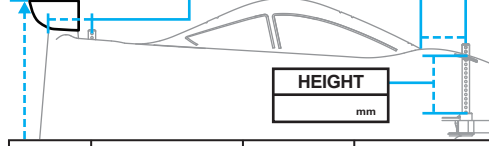
ANTI-ROLL BAR

FRONT	mm	REAR	mm
-------	----	------	----

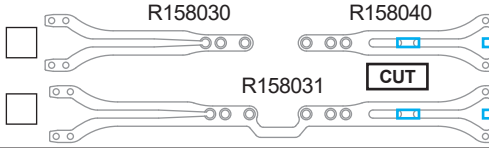
TIRES	FRONT TIRE GLUED WALL
ADDITIVE	DIAMETER mm
ADDITIVE TIMING	

FL	FR	RL	RR
TREATED AREA			

HEIGHT mm	TOWER EDGE mm	WINDOW EDGE mm
-----------	---------------	----------------

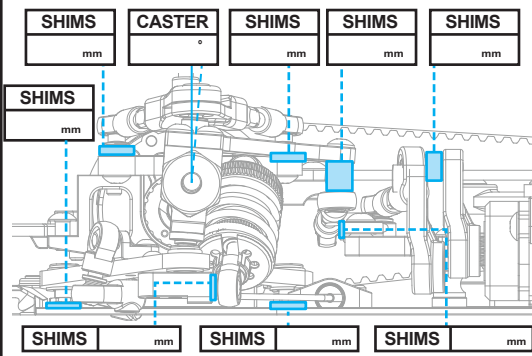


BODY	WING
------	------

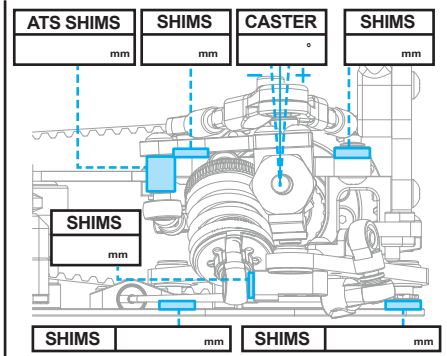


NOTE

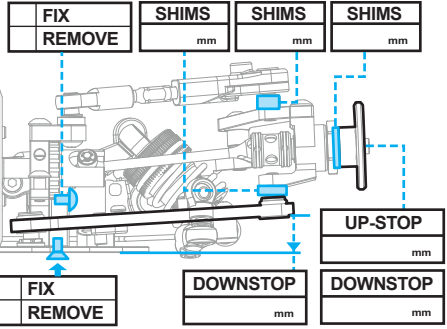
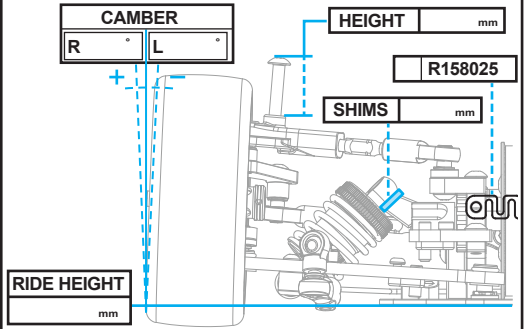
FRONT



REAR



FRONT



REAR

