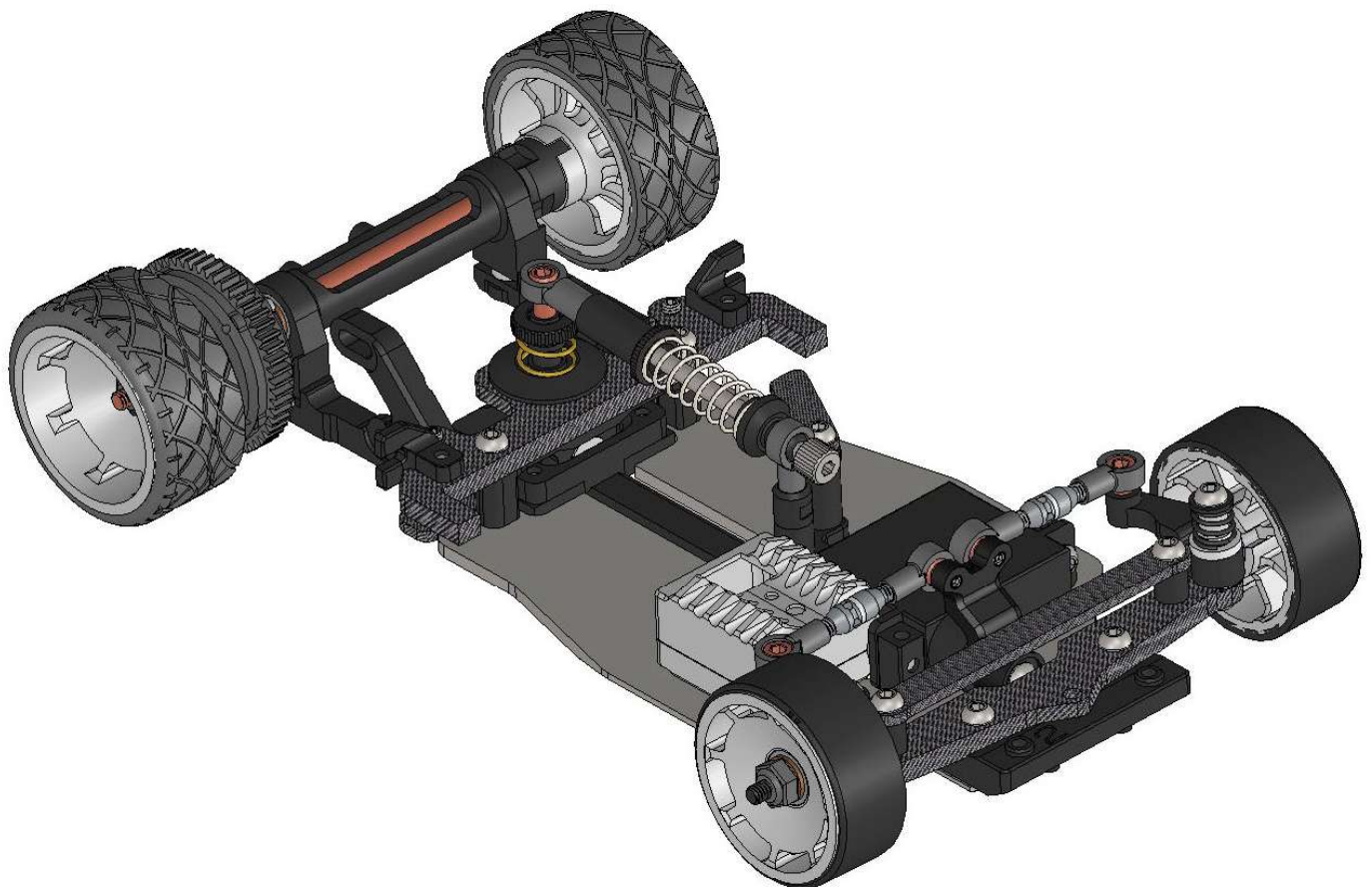
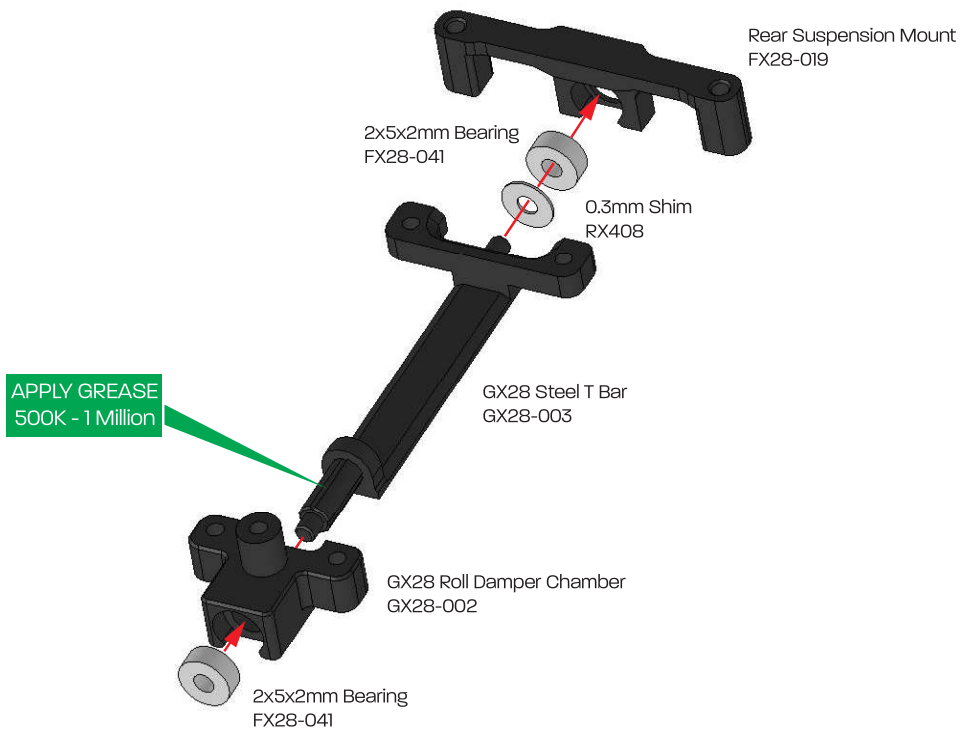


GX28

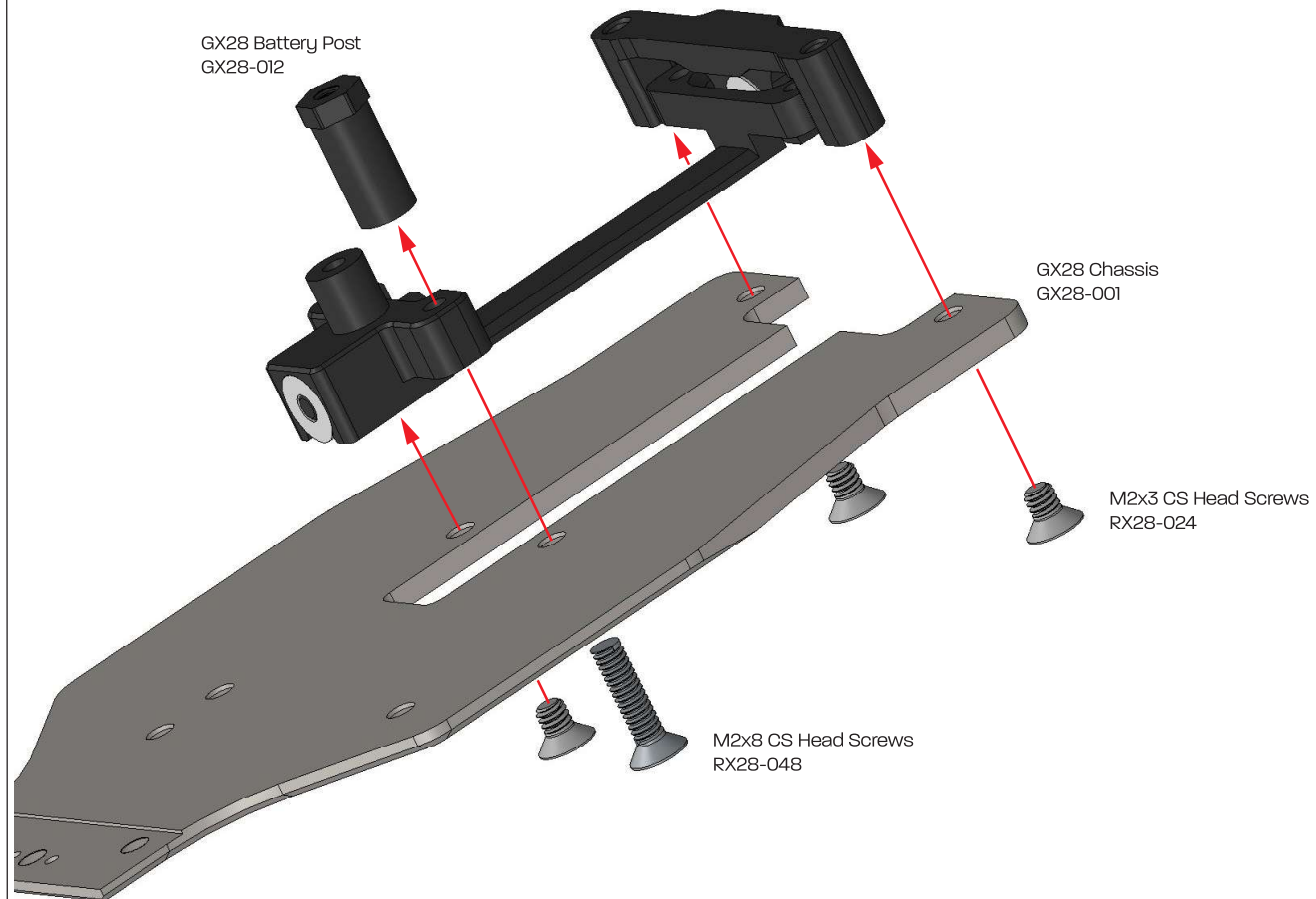
INSTRUCTION MANUAL



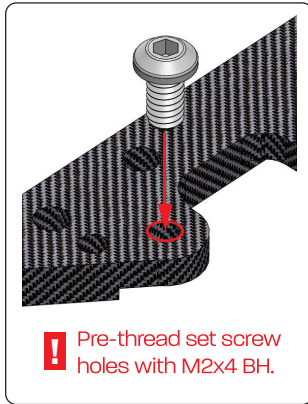
1 T-BAR



2 REAR SUSPENSION MOUNT

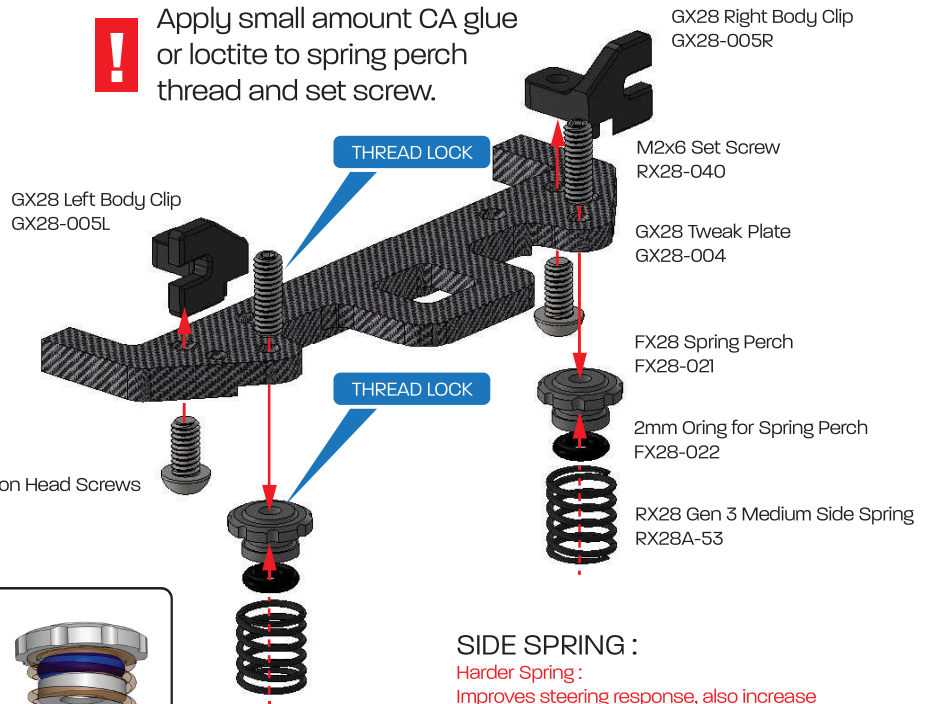


3 SIDE SPRINGS



! Pre-thread set screw holes with M2x4 BH.

! Apply small amount CA glue or loctite to spring perch thread and set screw.



M2x4 Button Head Screws
RX28-022

SPRING INSTALLATION :
Put the M2x1 O-Ring in the groove.

SPRING ADJUSTMENT :
Adjust 1/2 turn at a time until side spring barely touches motor mount plate.

OPTION

Aluminum Spring Perches
RX28-011

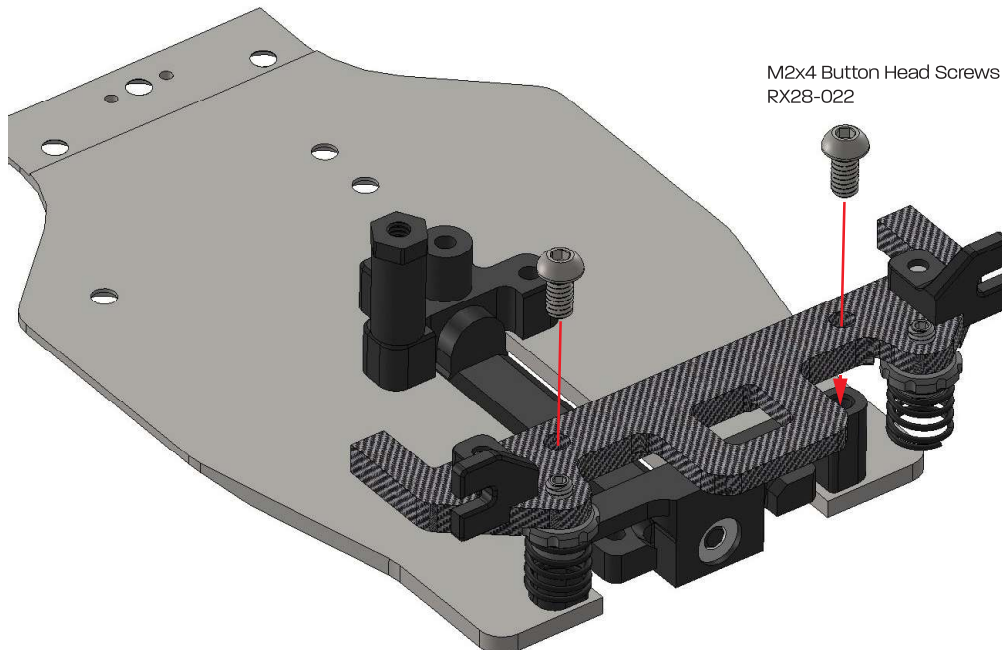
SIDE SPRING :

Harder Spring :
Improves steering response, also increase traction rolling.

Softer Spring :
Makes the car easier to drive.

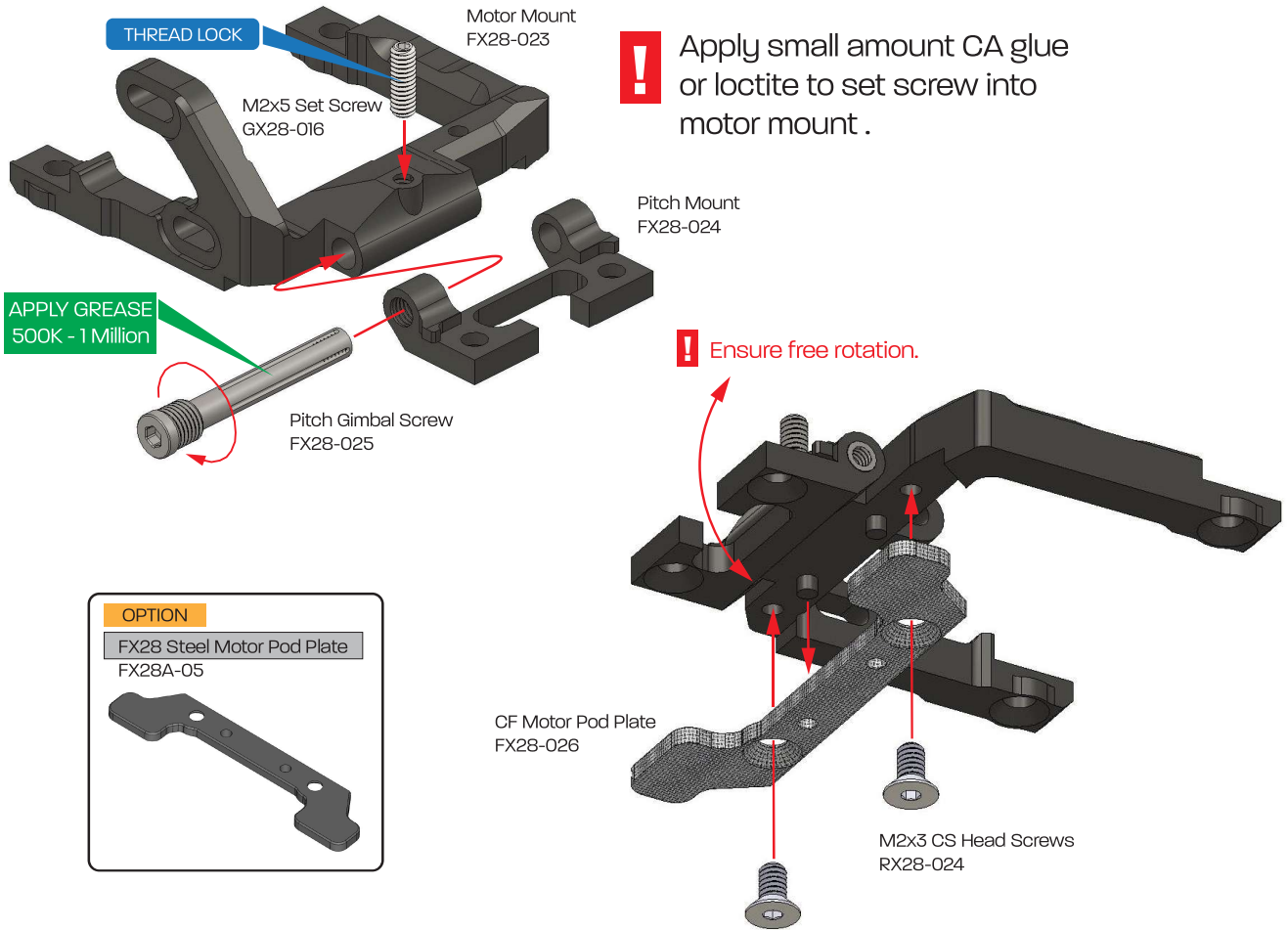
| | Side Spring | |
|--|-------------|---------------------------|
| | RX28A-52 | Soft (Gray) |
| | RX28A-53 | Medium (Black) KIT |
| | RX28A-54 | Hard (Silver) |

4 CHASSIS BRACE

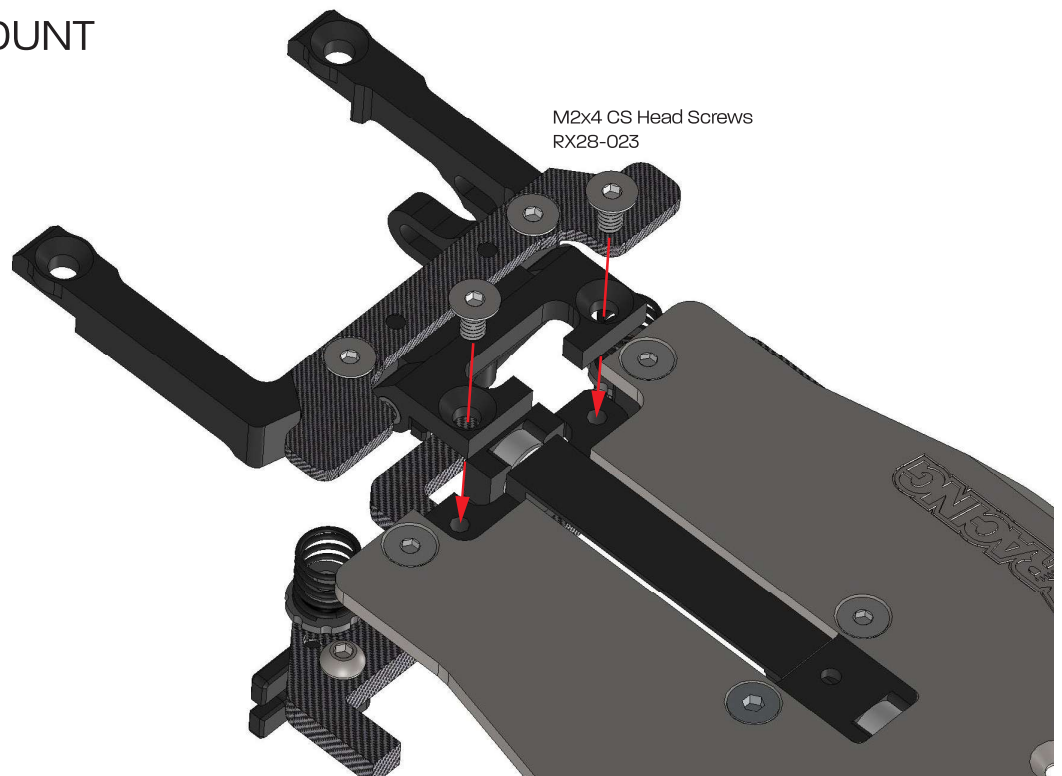


M2x4 Button Head Screws
RX28-022

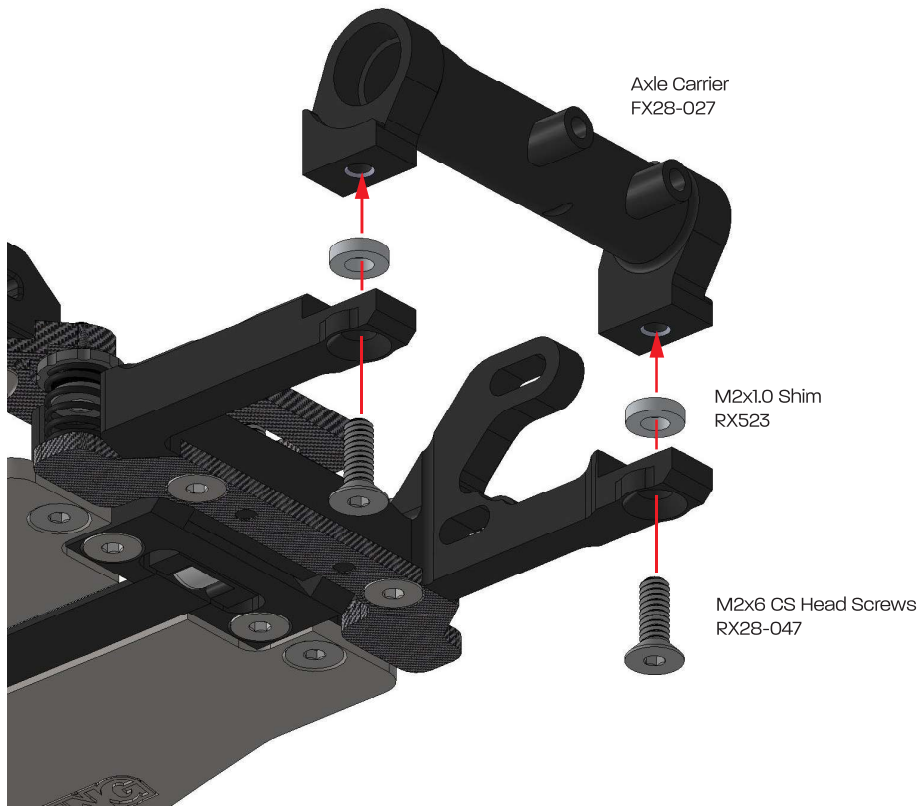
5 MOTOR MOUNT



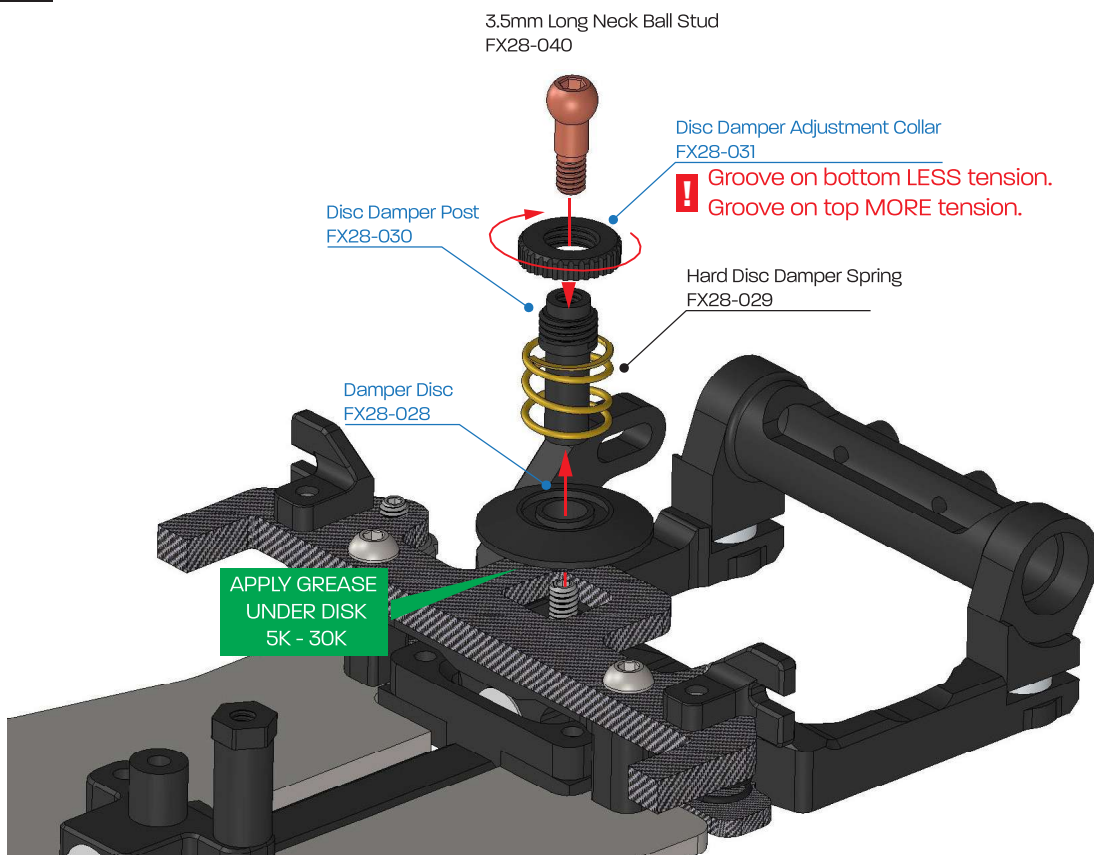
6 MOTOR MOUNT



7 AXLE CARRIER

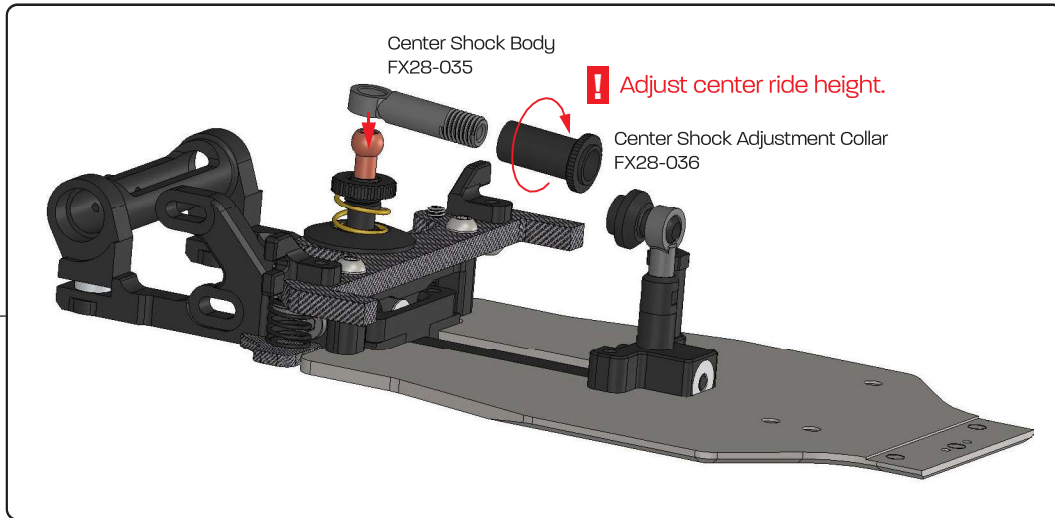
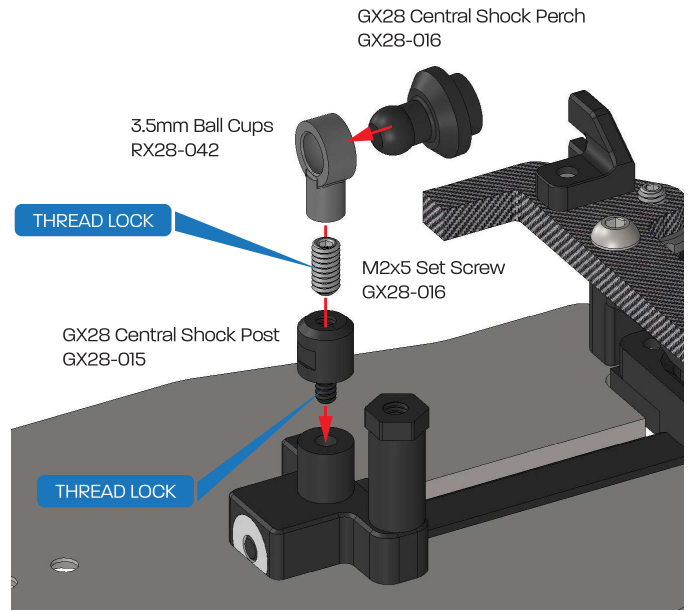


8 DAMPER

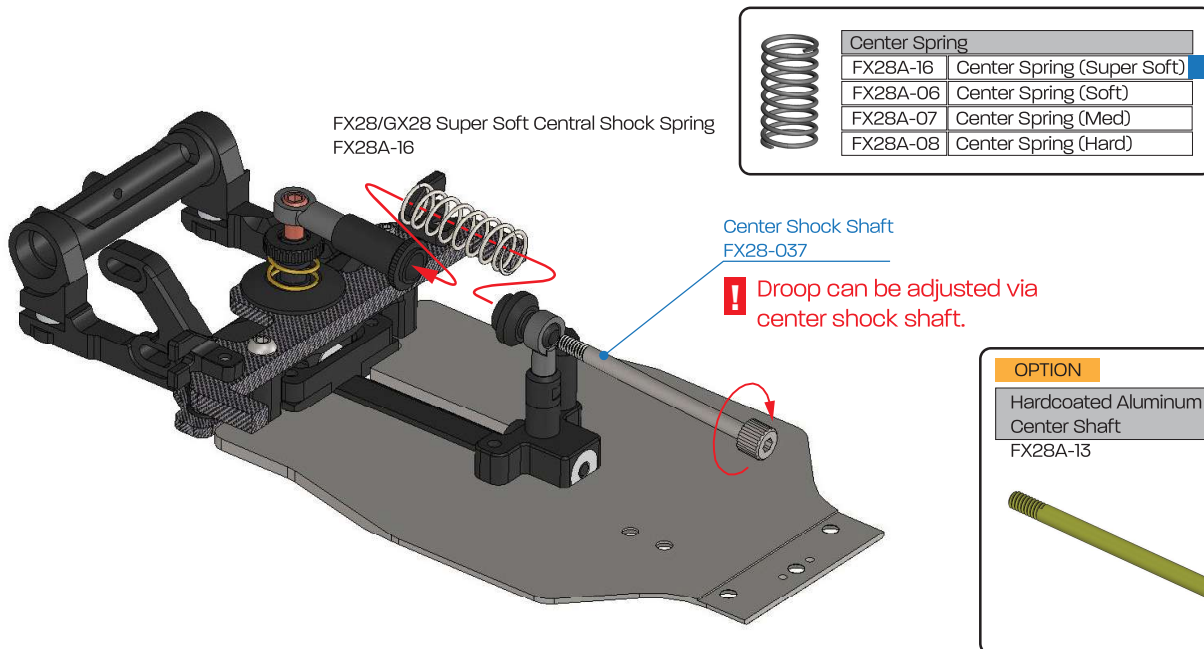


9 CENTER SHOCK

! Apply small amount CA glue or loctite to post thread and set screw.

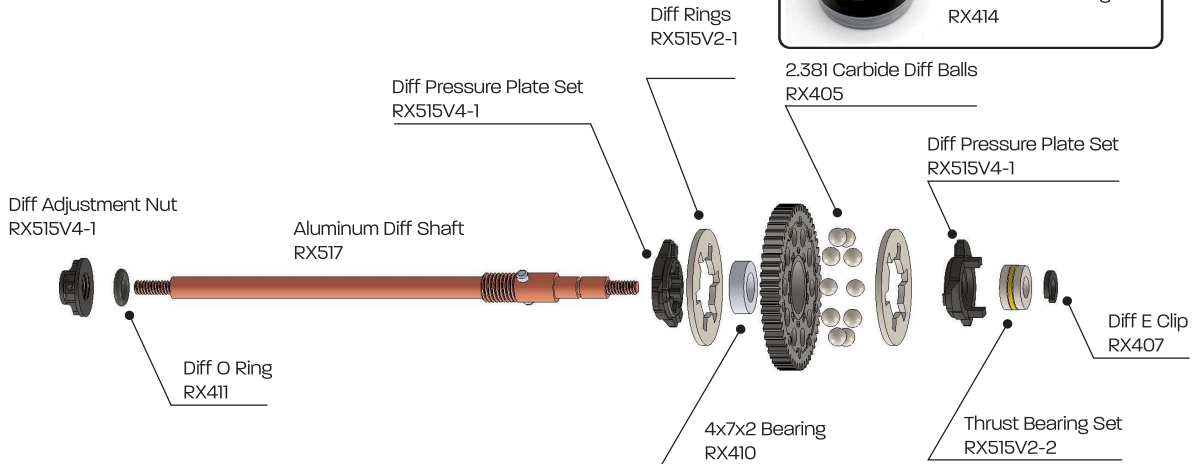


10



11

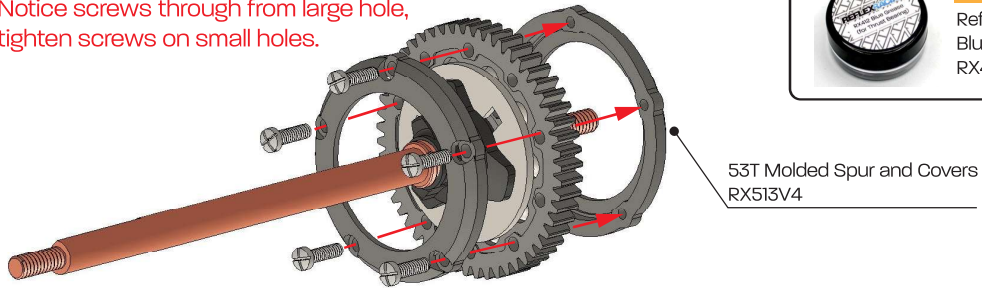
BALL DIFFERENTIAL



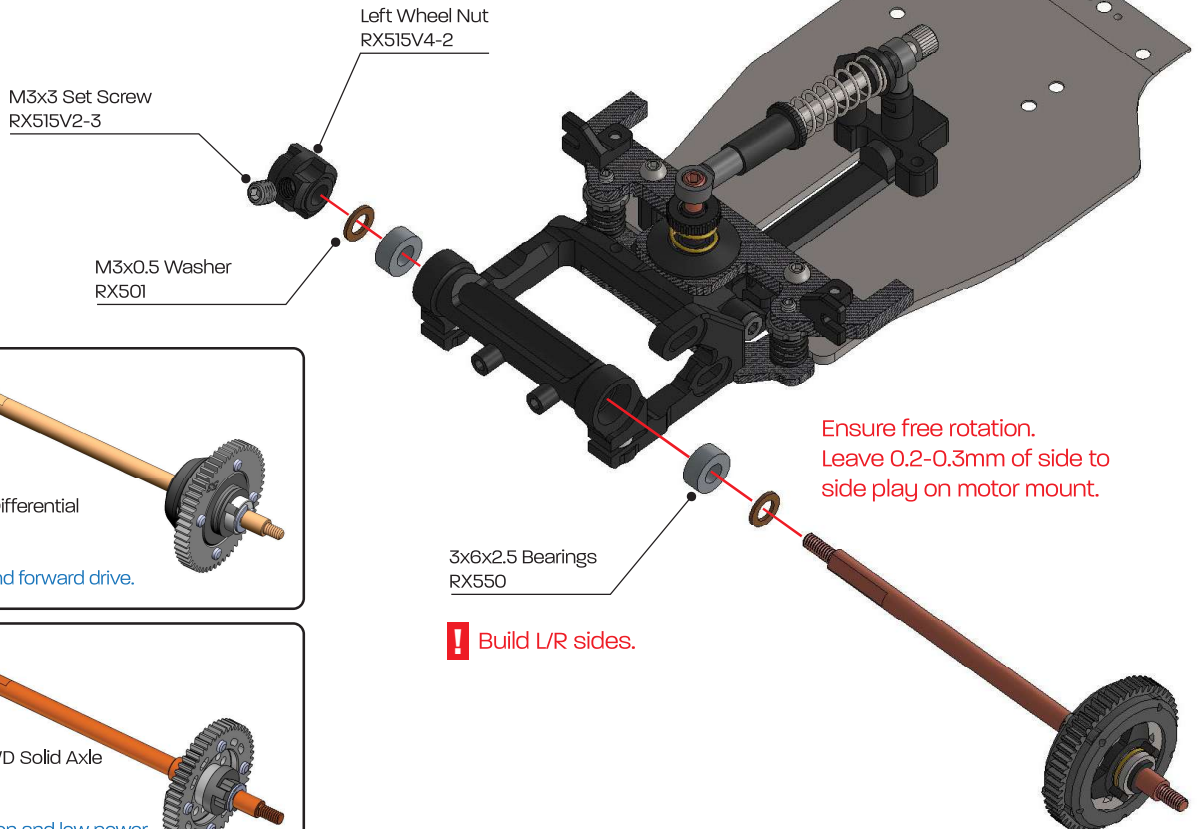
RECOMMENDED
 Reflex Racing
 Ball Diff Grease (3g)
 RX414

RECOMMENDED
 Reflex Racing
 Blue Thrust Grease (3g)
 RX412

! Notice screws through from large hole, tighten screws on small holes.



12

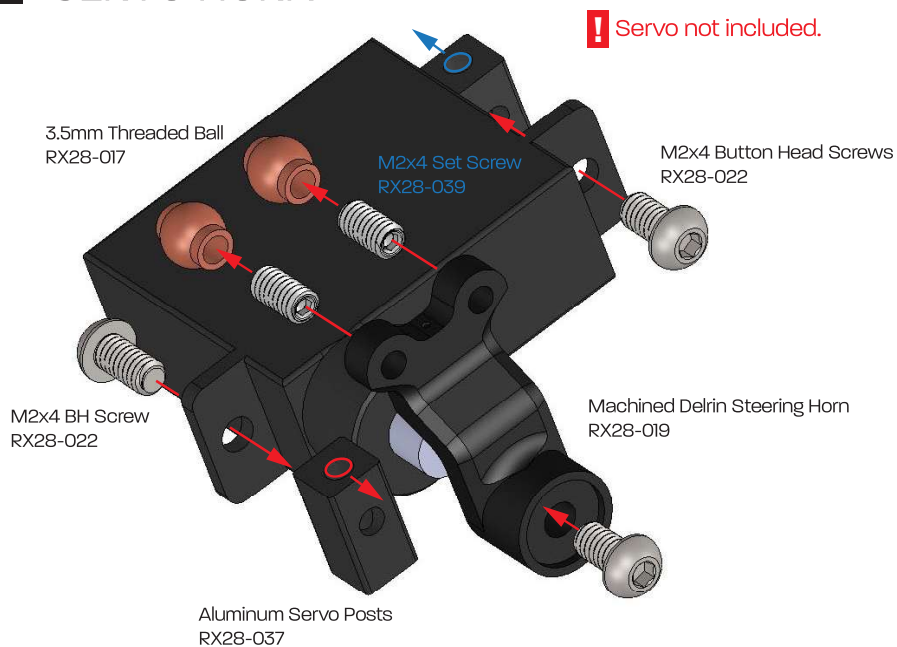


OPTION
 Aluminum Gear Differential
 RX538
 *More rotation and forward drive.

OPTION
 Reflex Racing 2WD Solid Axle
 RX558
 *For higher traction and low power classes. Less rotating mass.

! Build L/R sides.

13 SERVO HORN



SERVO HORN

OPTION

RX28 Linear Steering Horn
RX28A-40

*Better for tight tracks.

RX28 Short Steering Horn
RX28A-41

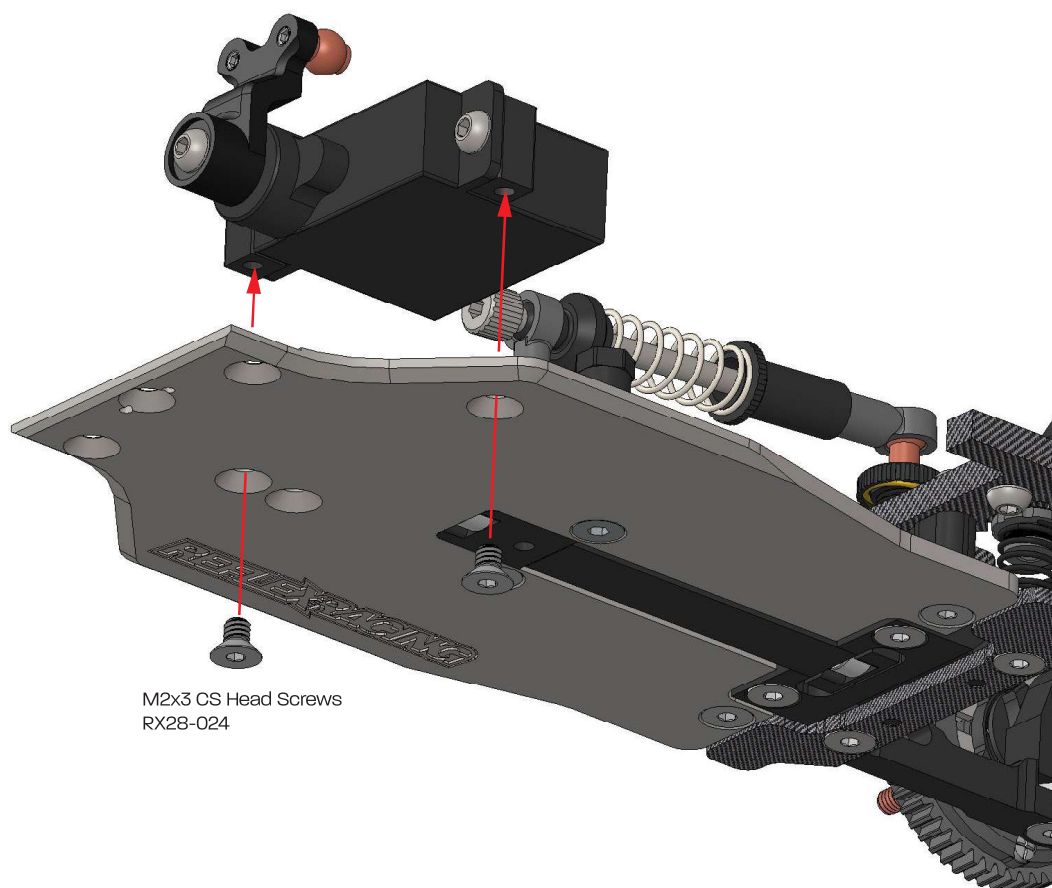
* Better for super high bite and tracks
that require low D/R setting.

KIT

RX28 Standard Steering Horn
RX28-019

* Good all around.

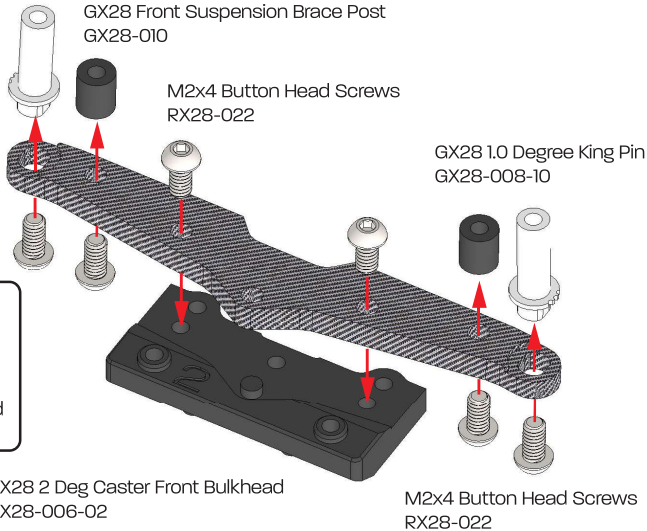
14 SERVO INSTALLATION



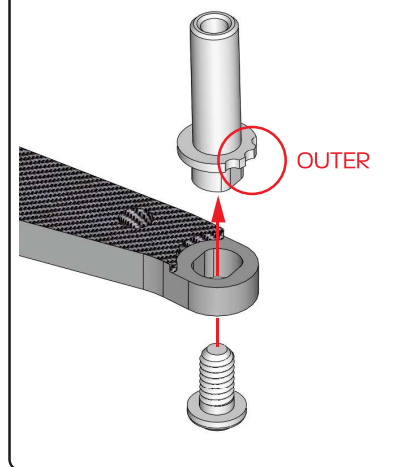
15

! Build L/R sides.

GX28 Front Lower Arm
GX28-017



! Note the kingpin direction.



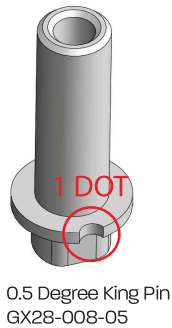
OPTION

3 Deg Caster Front Bulkhead
GX28-06-03

GX28 4 Deg Caster Front Bulkhead
GX28-06-04

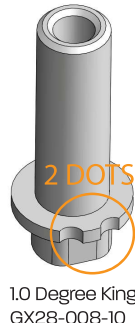
CAMBER KING PIN

OPTION



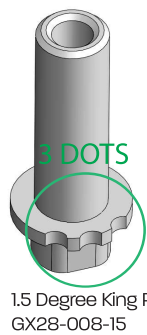
0.5 Degree King Pin
GX28-008-05

KIT

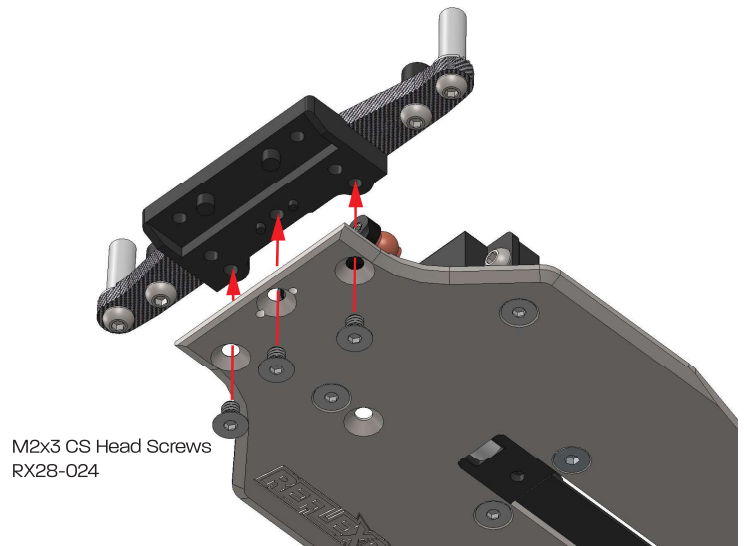


1.0 Degree King Pin
GX28-008-10

OPTION




1.5 Degree King Pin
GX28-008-15



M2x3 CS Head Screws
RX28-024

16

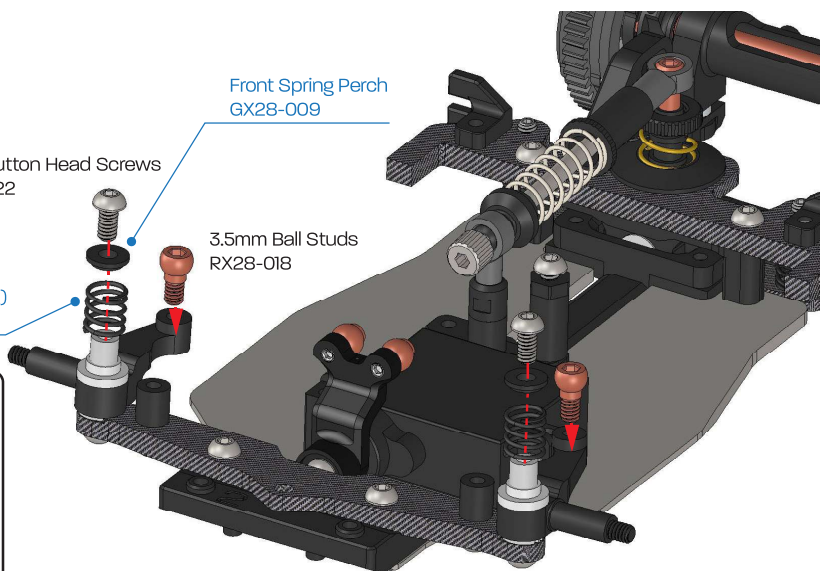
| GX28 Front Spring | |
|---|---|
|  | GX28A-01 Super Soft Spring (Gray) |
| | GX28A-02 Soft Spring (Black) KIT |
| | GX28A-03 Med Spring (Silver) |
| | GX28A-04 Hard Spring (Gold) |

M2x4 Button Head Screws
RX28-022

Front Spring Perch
GX28-009

3.5mm Ball Studs
RX28-018

GX28 Soft Spring (Black)
GX28A-02

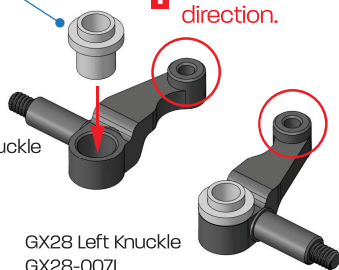


GX28 Knuckle Sleeve
GX28-007S

! Note the knuckle direction.

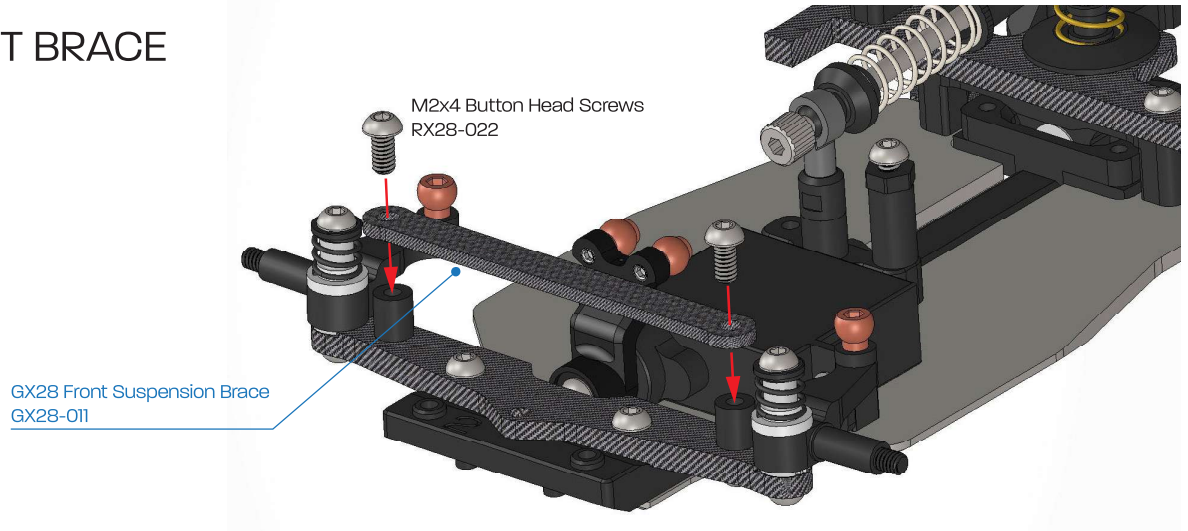
GX28 Right Knuckle
GX28-007R

GX28 Left Knuckle
GX28-007L

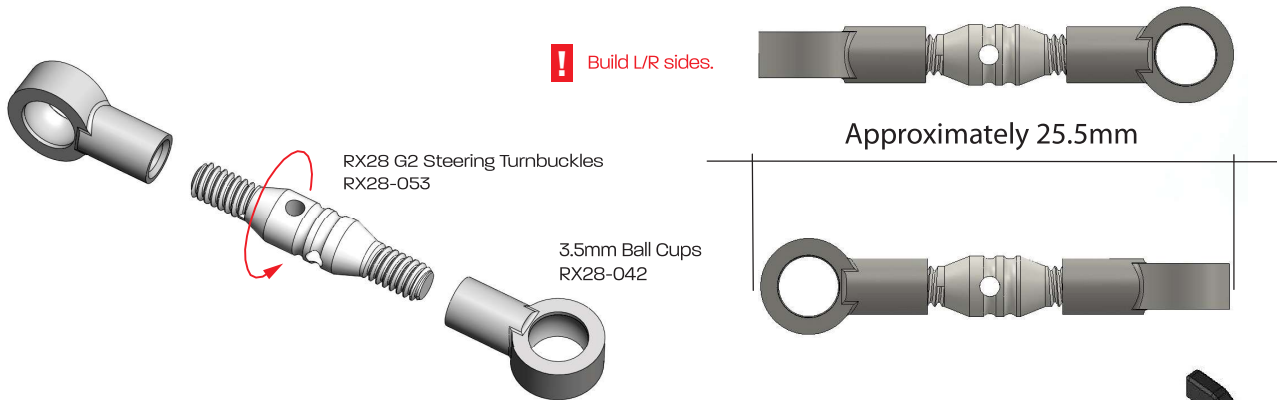


! Build L/R sides.

17 FRONT BRACE



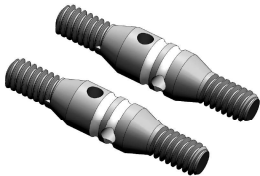
18 STEERING LINKAGE



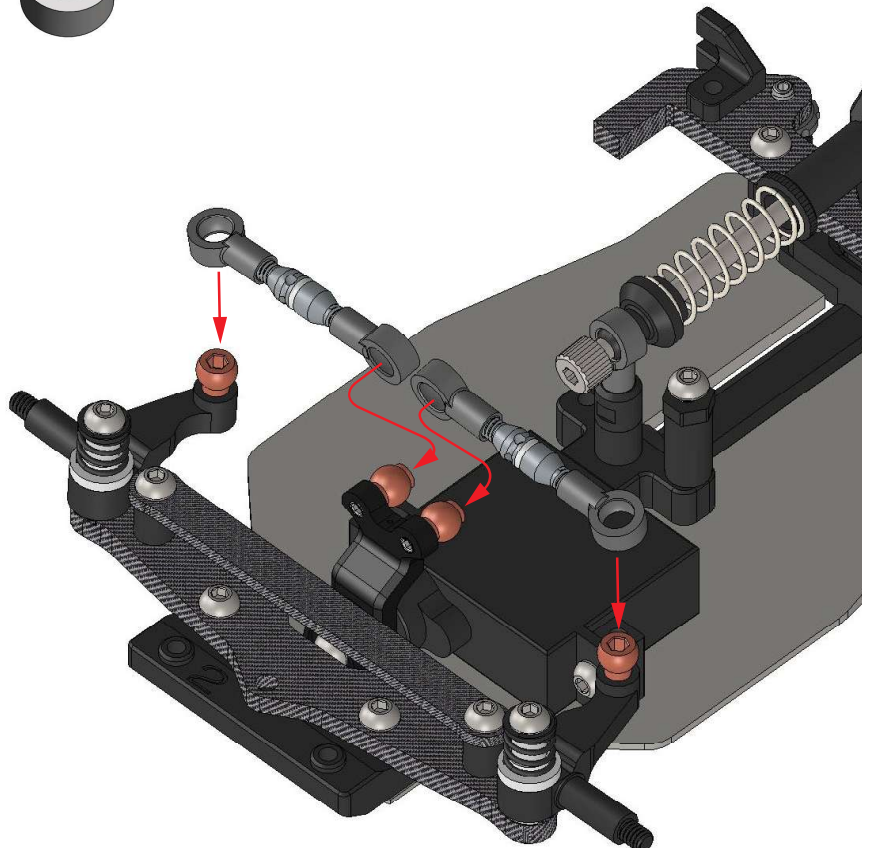
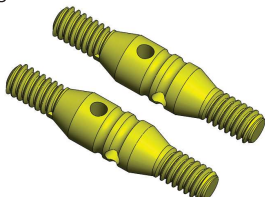
TURNBUCKLE SET

OPTION

RX28 Aluminum Turnbuckles
RX28A-44



RX28 Titanium Turnbuckles
RX28A-69

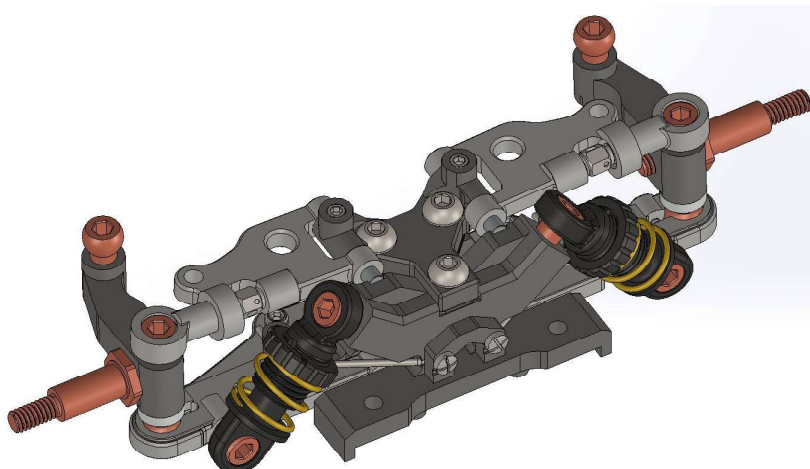


19 OPTION G3 FRONT SUSPENSION

OPTION

RX28 Gen 3 Double A Arm Front End
RX28G3FE-Kit

RX28 Double A-Arm Front Suspension
Compatible. Provide faster cornering
speed and more steering response.



20 TIRES & WHEELS

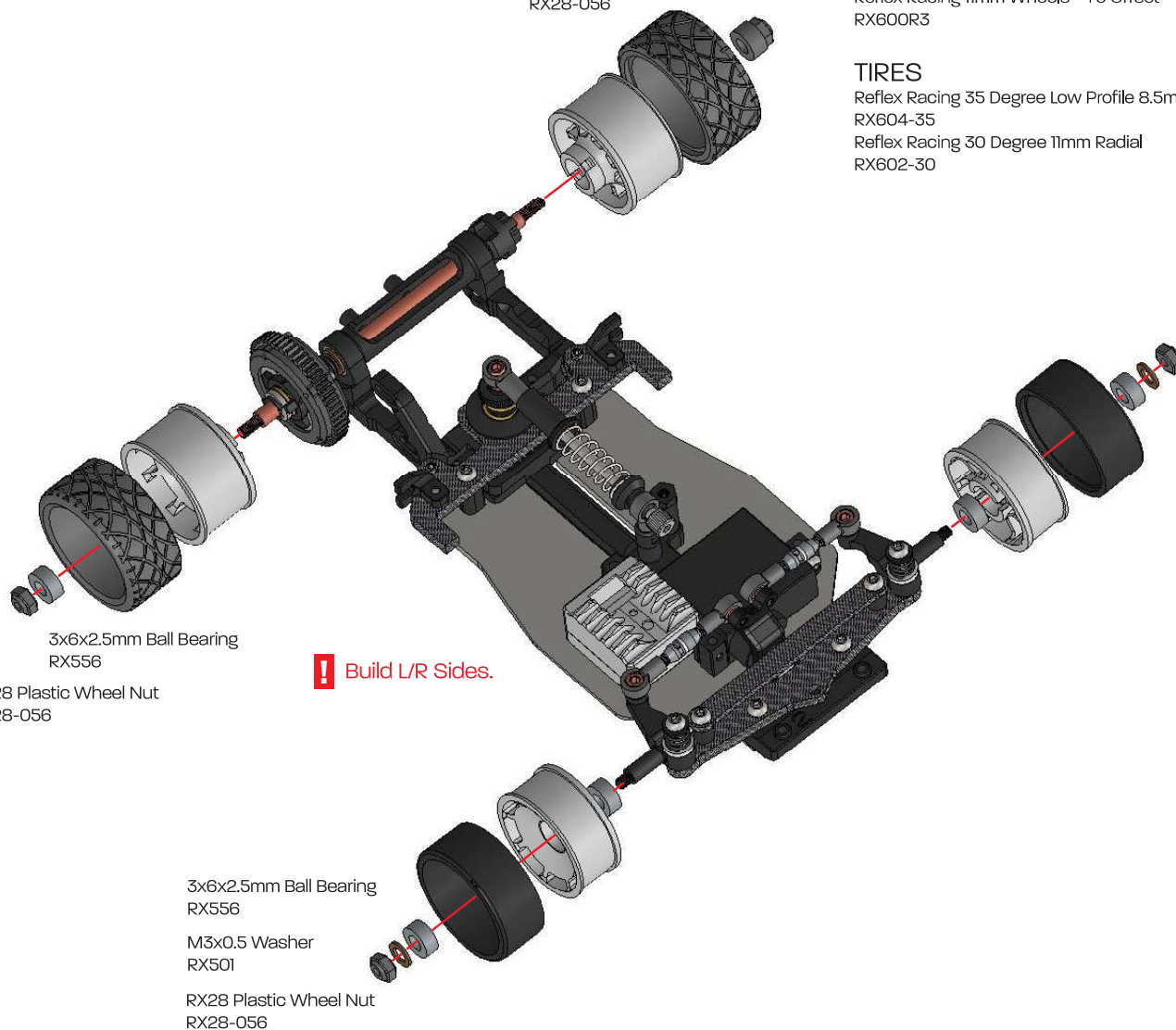
RX28 Plastic Left Rear Wheel Nut
RX28-056

WHEELS

Reflex Racing 8.5mm Wheels - 0 Offset
RX600F0
Reflex Racing 11mm Wheels - +3 Offset
RX600R3

TIRES

Reflex Racing 35 Degree Low Profile 8.5mm Tire
RX604-35
Reflex Racing 30 Degree 11mm Radial
RX602-30



3x6x2.5mm Ball Bearing
RX556

RX28 Plastic Wheel Nut
RX28-056

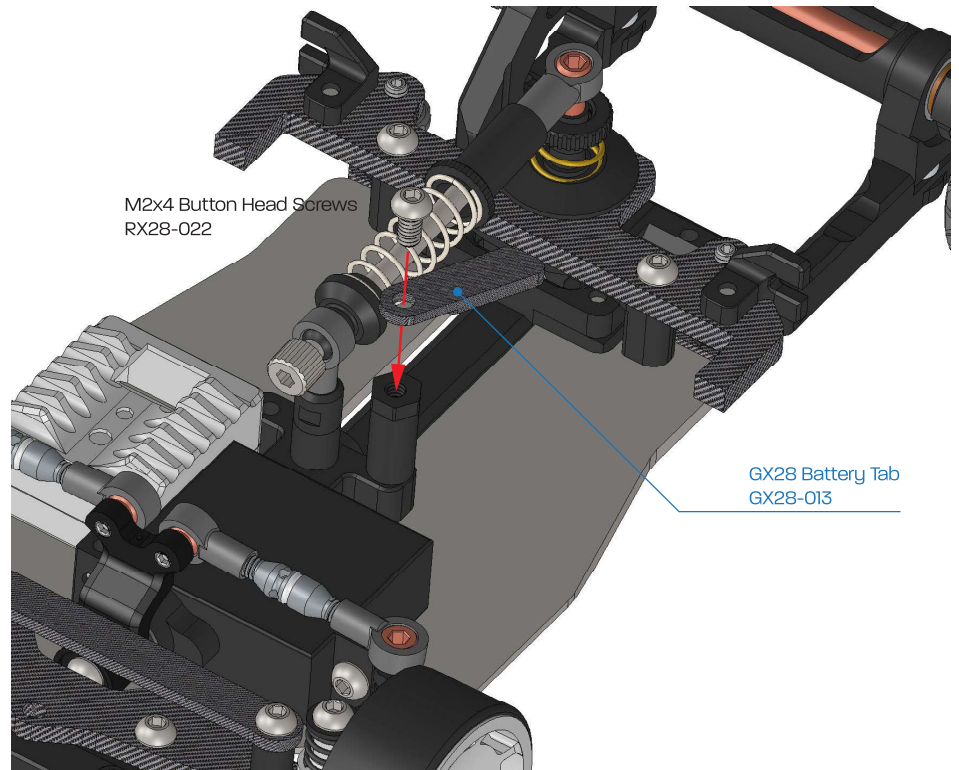
! Build L/R Sides.

3x6x2.5mm Ball Bearing
RX556

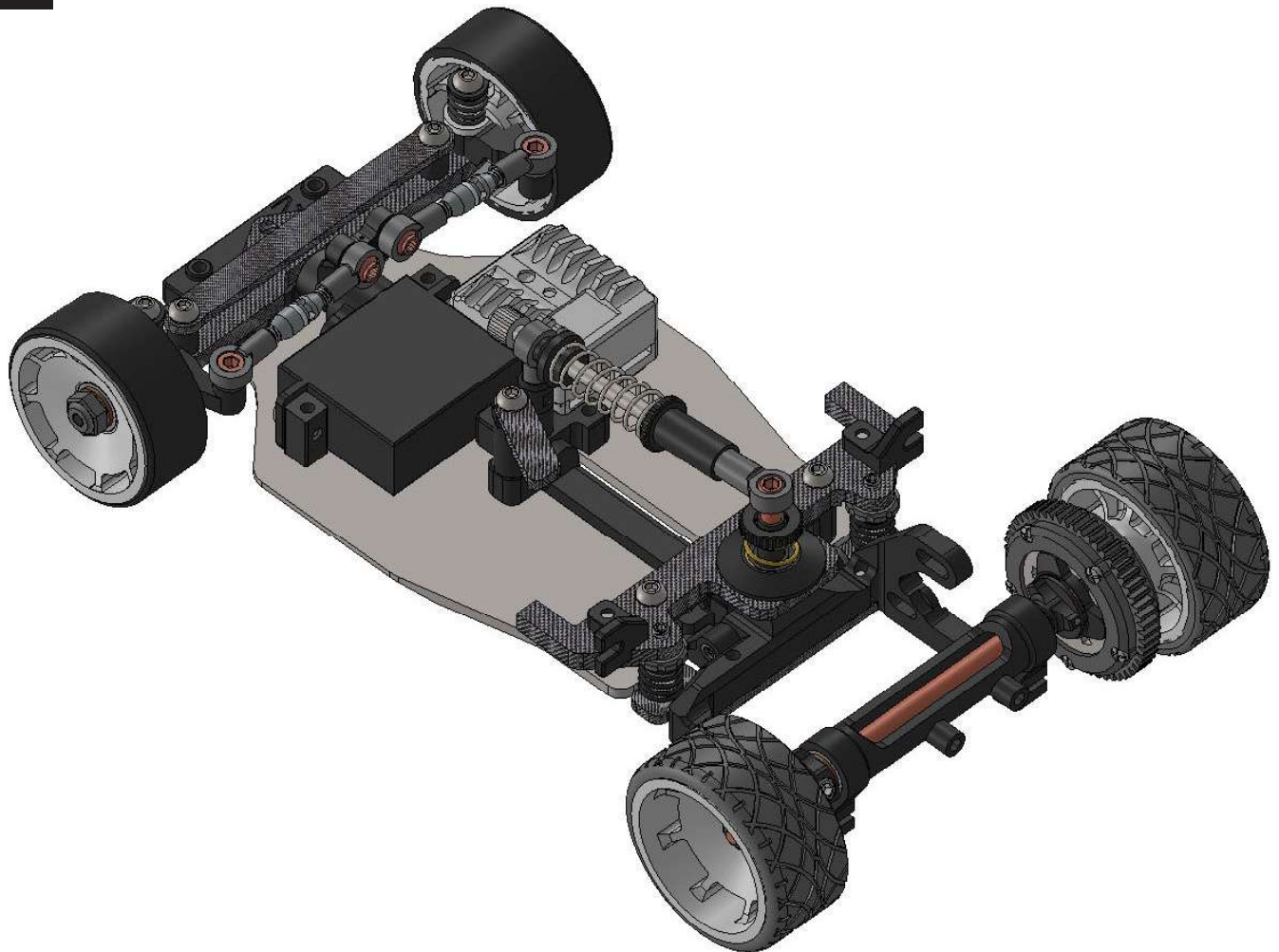
M3x0.5 Washer
RX501

RX28 Plastic Wheel Nut
RX28-056

21 BATTERY MOUNT



22



DATE / /

DRIVER NAME

TRACK

COUNTRY

TRACTION HIGH LOW

TEMP. AIR TRACK

EVENT BEST LAP TIME QUALIFYING POSITION FINAL POSITION

REAR

DIFFERENTIAL

GEAR DIFF

GREASE /CST

BALL DIFF

TIGHT

MEDIUM

LOOSE

SOLID AXLE

RIDE HEIGHT /mm

CENTER

CENTER SHOCK SPRING

SUPER SOFT

SOFT

MEDIUM

HARD

OTHERS

ROLL DAMPER OIL /CST

DAMPER DISC OIL /CST

DROOP /mm

PITCH GIMBAL OIL /CST

SIDE SPRING

SOFT MEDIUM

HARD

OTHERS

FRONT

CAMBER

1°

1.5°

2°

CASTER

2° 3° 4°

KINGPIN OIL /CST

FRONT SPRING

SUPER SOFT

SOFT

MEDIUM

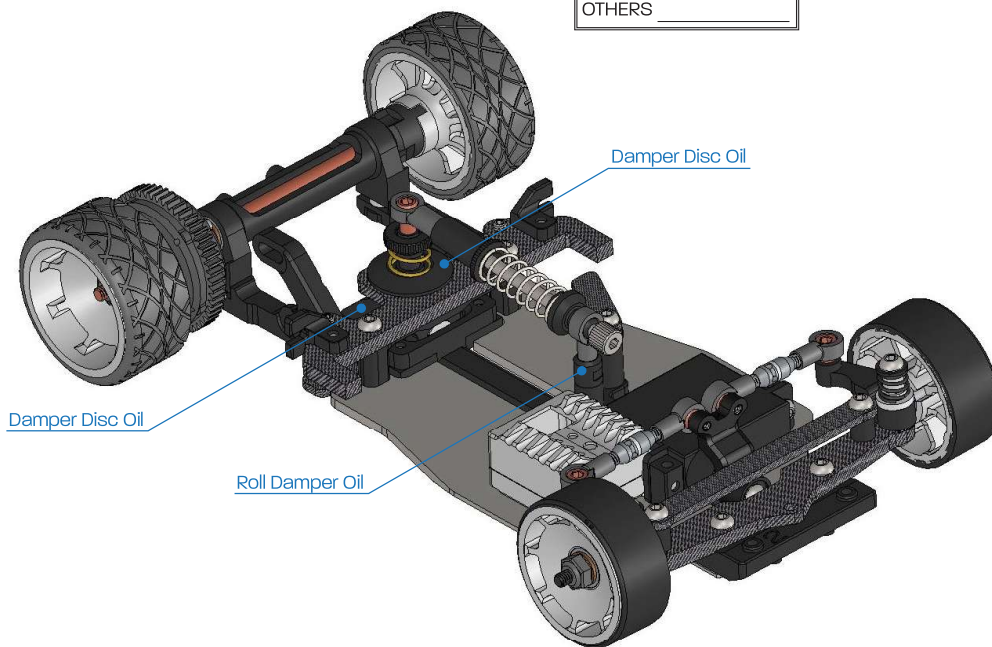
HARD

OTHERS

TOE ANGLE DEG

DROOP /mm

RIDE HEIGHT /mm



TIRE SETTING

FRONT

TIRE

WHEEL

OFFSET /mm

DIAMETER /mm

GLUE

TAPE

REAR

TIRE

WHEEL

OFFSET /mm

DIAMETER /mm

GLUE

TAPE

MOTOR KV GYRO

PINON GEAR T SPUR GEAR T BODY

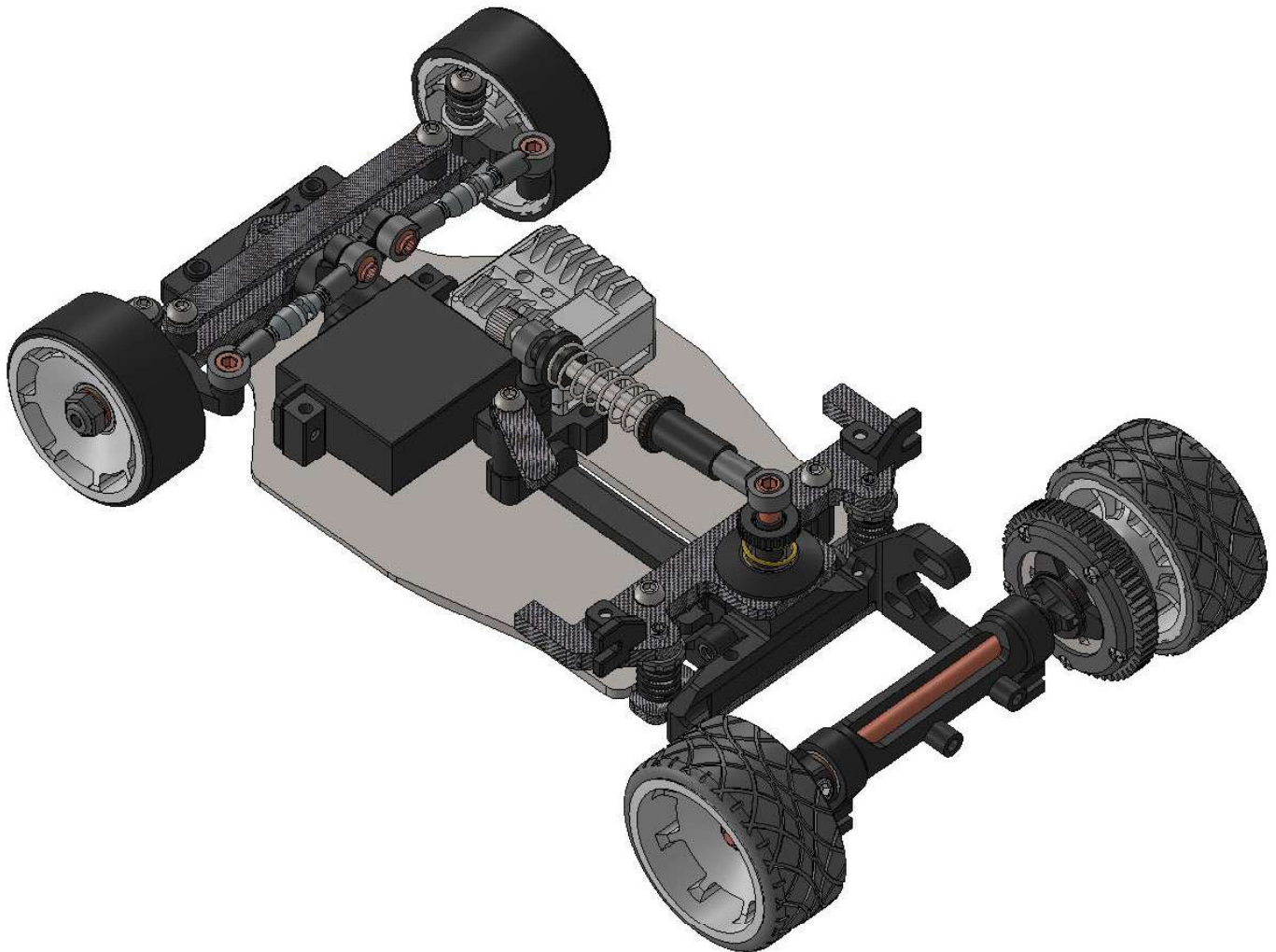
ESC RECEIVER SERVO

BATTERY CHARGE CURRENT A TOTAL WEIGHT /grams

NOTES

GX28

www.reflexracing.net



REFLEX RACING